

TT014: Measure a Voltage Free Switch

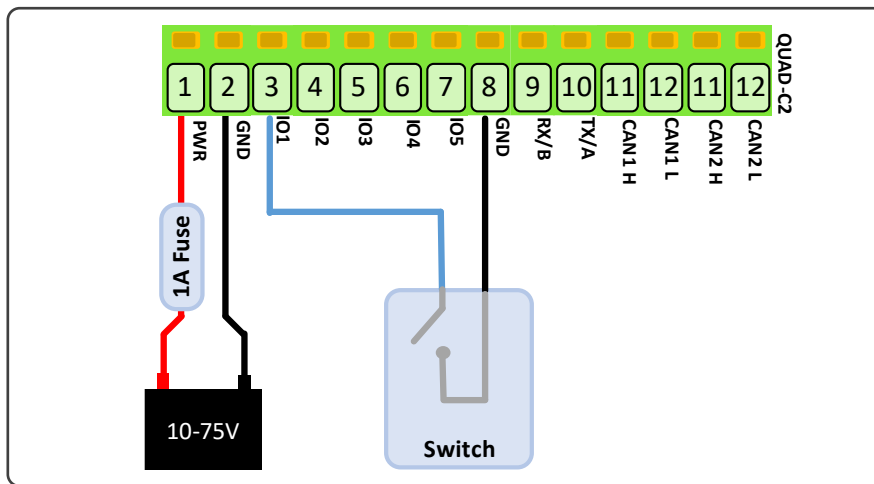
This technical tip shows how to measure the state of a voltage free contact using the QUAD-C2. An internal pullup will be used to set the state of the switch to high when inactive. The switch will be switched to ground when active. IO1 has been used as IO1 and IO2 have additional wake from sleep features.

Sensor Parameters

Part Number	63100BL
Type	Off / On Sealed Rocker Switch
Specification	20A at 12V, 10A at 24V
Mounting opening	37.5 x 21mm
Supplied by	Narva



Simple On Off Switch



QUAD-C2

Setting (IO1)	Value	Comment (Measurement IO)
Name	Door Switch	A meaningful name for the sensor data
Interval	1	1 means the sensor is sampled on every base interval
Wake on Change	Enable	Enable this if you want a change in state to wake the Senquip device from sleep
Default State	PULLUP	Enable a pullup resistor in to the Senquip device. This will remain on in sleep
Measurement State	No Change	Do not apply any output to the measurement pin
Measurement Time	1 sec	Sensor will be measured 1 sec after device wakes up
Measure Voltage	Enabled	0V when pressed, 3.3V when open
Pulse	Enabled	Enable pulse counting if you would like to measure the number of switch cycles